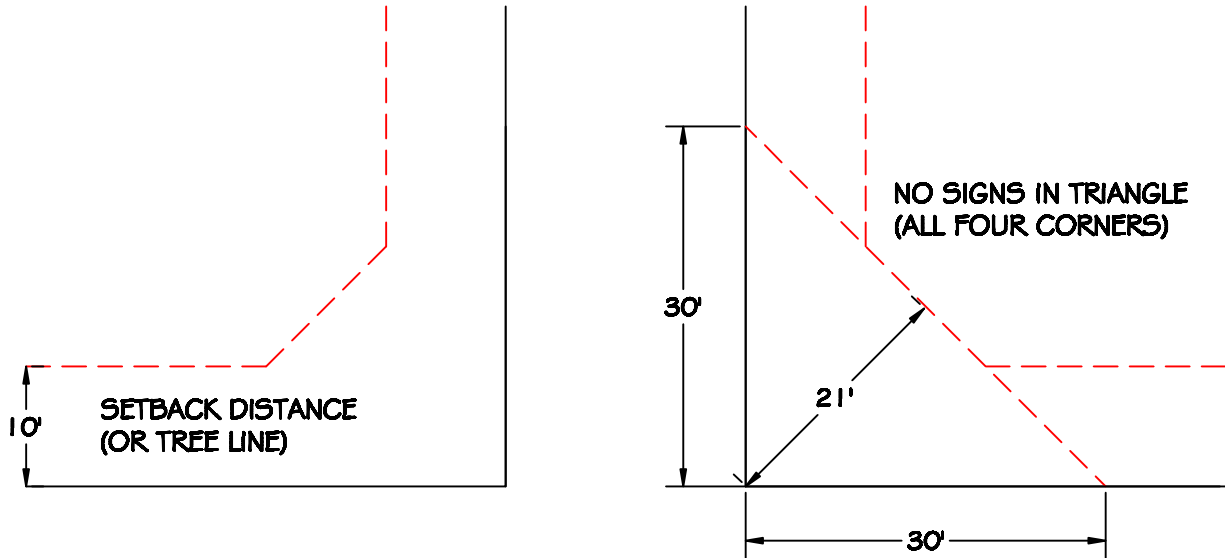
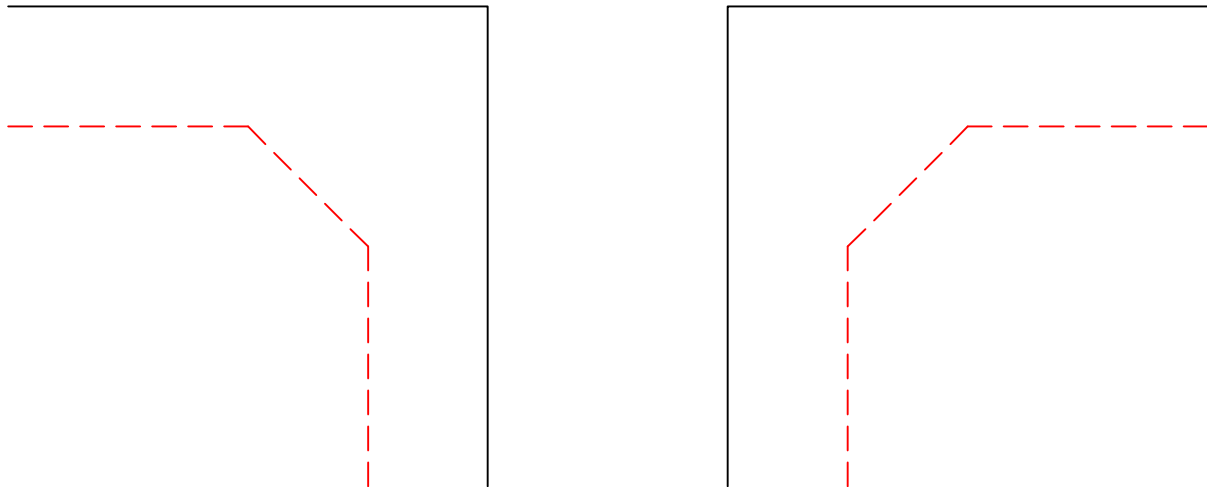


TOWN OF JACKSON
ROAD RIGHT OF WAY
SIGN SETBACK RESTRICTIONS



INTERSECTION



GENERAL:

SIGNS TO BE PLACED TEN FEET BACK FROM EDGE OF ROAD OR BEYOND TREE LINE, WHICHEVER IS LESS.

NO SIGNS ALLOWED WITHIN 30 FEET OF EDGE OF ROAD AT INTERSECTION OR IN TRIANGLE FORMED BY LINES CONNECTING 30 FOOT BOUNDARIES.

FOR ADDITIONAL INFORMATION CONTACT JACKSON HIGHWAY SHOP @ (715) 866-7909.